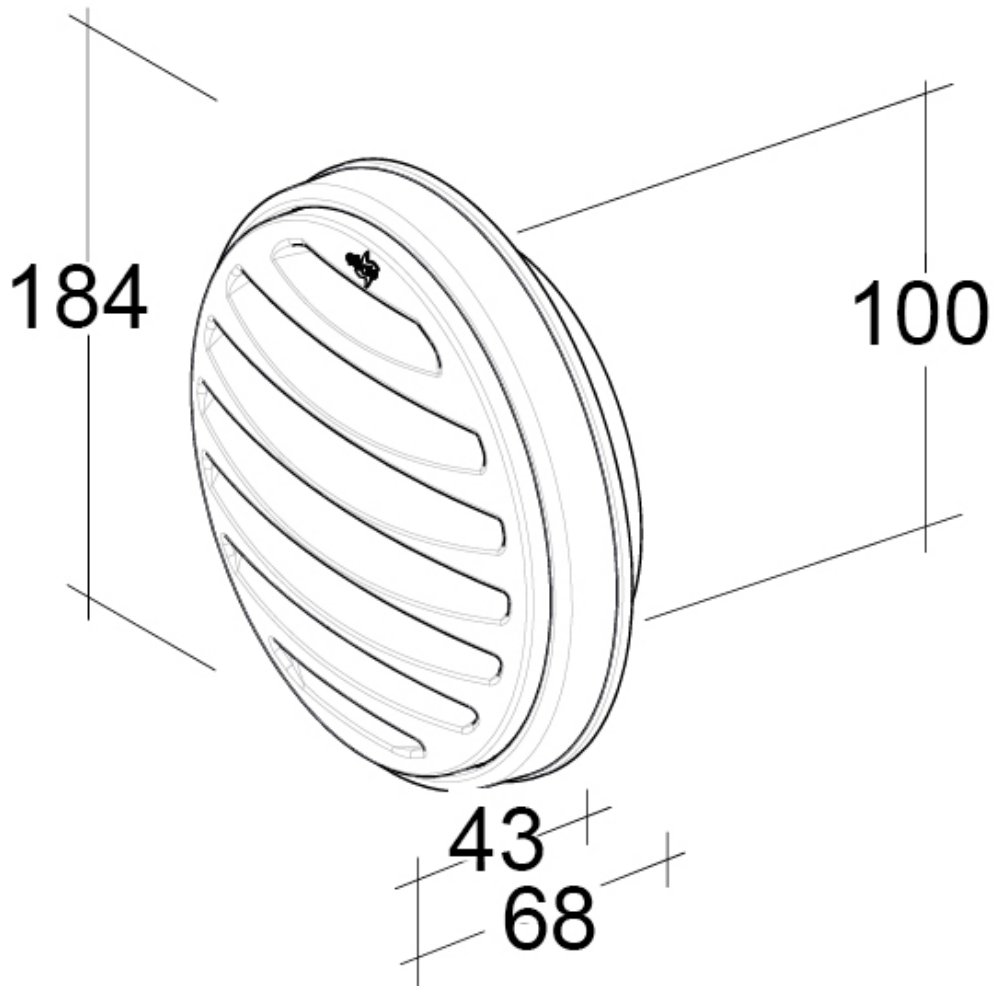


C-100Sb



➔ C (Circle)



➔ 100mm



➔ S (Slots)

N36097