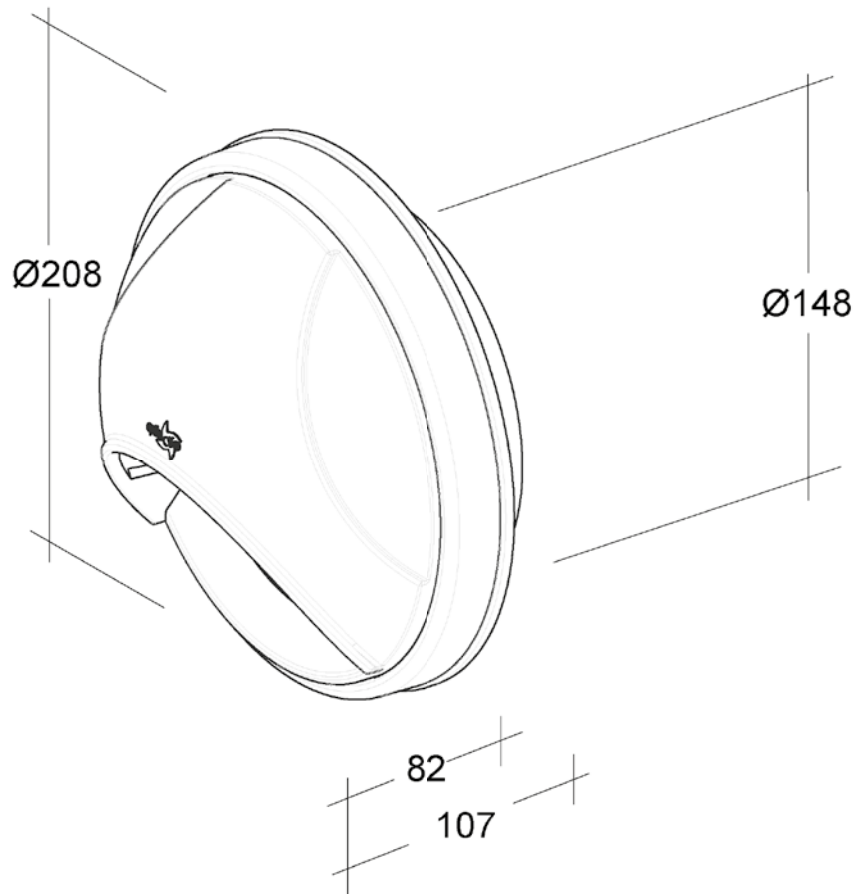
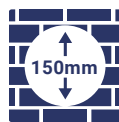


# C-150Gb



➔ C (Circle)



➔ 150mm



➔ G (Grid)

N36112